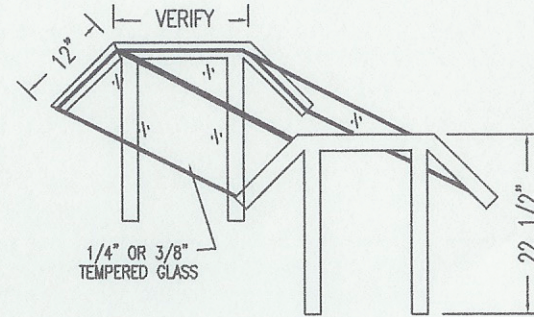


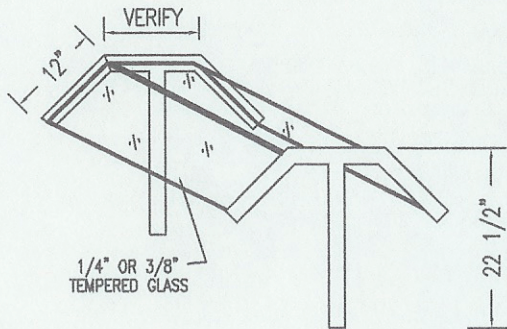
DS101

OPTIONAL : CLOSED END AVAILABLE



DS102

OPTIONAL : CLOSED END AVAILABLE



DS103

HENDERSON CAN ALSO CUSTOM FABRICATE ANY CONFIGURATION OF SNEEZE GUARD TO FIT YOUR NEEDS.

THIS DOCUMENT CONTAINS PROPRIETARY DATA OF HENDERSON & SON. NO DISCLOSURE, REPRODUCTION OR USE OF ANY PART THEREOF WITHOUT WRITTEN PERMISSION.

HENDERSON MILL & FIXTURE
 12275 75TH STREET
 LARGO, FLA. 33773
 727-507-0771

DOUBLE SIDED
 SELF SERVICE TYPE SNEEZE GUARD